

TCM

DIESEL POWERED

Pneumatic Tire Truck

5-8t Series

FD50Z7 5,000 kg/600mm 11,000 lbs/24in

FD60Z7 6,000 kg/600mm 13,000 lbs/24in

FD70Z7 7,000 kg/600mm 15,500 lbs/24in

FD80Z7 8,000 kg/600mm 17,500 lbs/24in



NEW DIRECT-INJECTION ENGINE.

Greater torque, speed and fuel economy are yours in the new 6-cylinder Isuzu 6BB1 diesel engine. Direct-injection combustion efficiency upgrades performance on a total basis. Rated output is 92PS (JIS), 93HP (SAE gross) at 2,000rpm, while maximum torque is 35.5kg-m (261 ft-lb) at 1,600rpm. This combines with a free-wheeled torque converter to assure high efficiency in heavy-duty roles.

● Superb Fuel Economy.

TCM factory fuel economy tests show the new engine achieves energy savings of 20% per work cycle over the previous model.

MIGHTY WORKING PERFORMANCE.

Drawbar pull, gradeability and lift speed are greatly enhanced to assure substantially improved working efficiency.

COLUMN SHIFT LEVER.

The column-mounted shift lever is within fingertip reach from the steering wheel. This facilitates gear changes to increase work output and operating ease.

STANDARD POWER STEERING.

Handling in tight spaces requires only a minimum of effort because semi-integral power steering is standard. This greatly lowers operator fatigue while increasing work output.

LARGE ONE-PIECE FLOOR MAT.

TCM forklifts now have a large one-piece floor mat which further shuts out noise from the engine compartment.

KEY SWITCH AUTO-STOPPER.

Engine shut-off is as quick and easy as on gasoline engine models because an auto-stopper is equipped.

WIDER FRONT VIEW.

Lift cylinders and chains are positioned further apart to create wider forward visibility for extra safe travel and load handling.

SUPERB MAST STRENGTH.

TCM builds in remarkable unbalanced load strength by equipping the mast with 18 rollers which withstand heavy-duty lateral loads.

EASY-OPEN ENGINE COVER.

The engine cover features a stay damper that makes opening and closing effortless for routine checks and servicing. It hold the cover up and out of the way for easy access to the engine compartment.

CYCLOPAC AIR CLEANER.

The cyclopac air cleaner efficiently catches fine dust to maintain high engine performance—even in dusty environments. This extends engine life and improves reliability.

DISC BRAKES. (FD80Z7)

Ventilated front-wheel disk brakes are standard equipment for sure, non-slip stopping power under all operating conditions. These are designed for heavy-duty load handling.

FEWER GREASE FITTINGS.

The drag link, brake pedal and rear axles now feature grease-sealed ball joints. This means far fewer fittings require periodic servicing.

METERPANEL



METER		MONITOR (Warning lamp)	
① Speed meter	●	① Engine oil pressure	●
② Hour meter	●	② Charge	●
③ Fuel gauge	●	③ Cooling water	○
④ Engine water temperature	●	④ Parking brake	○
⑤ Torque converter oil temperature gauge	○	⑤ Air cleaner clogging	○
		⑥ Battery electrolyte level	○
		⑦ Remaining amount of fuel	○

● Standard Equipments ○ Optional Equipments

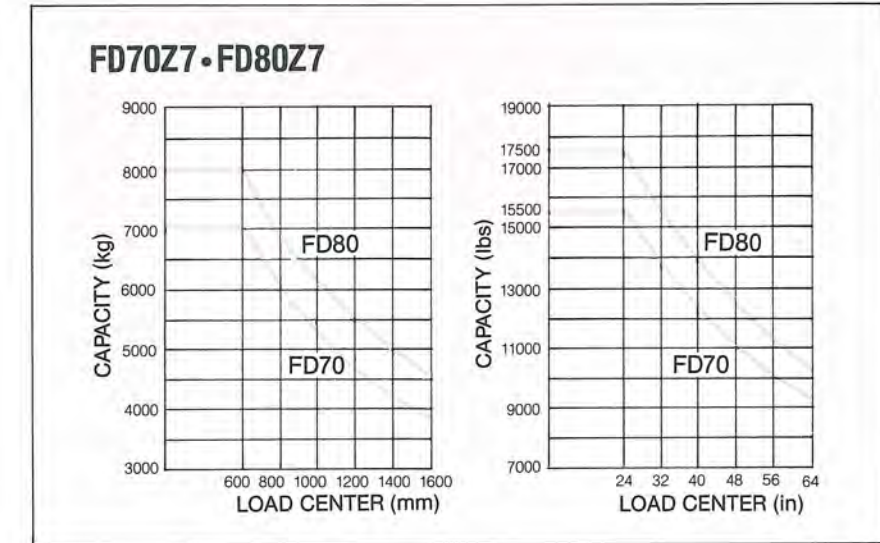
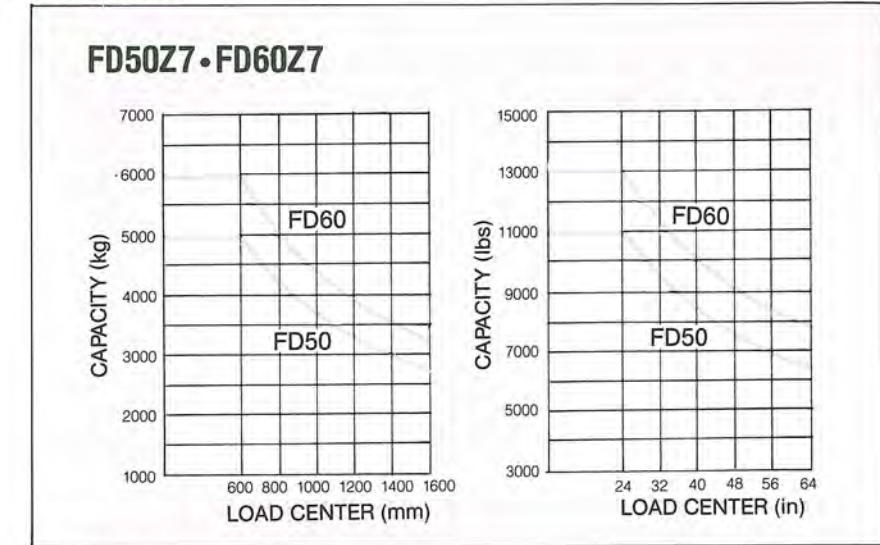
<http://www.keiyou.net/>

STANDARD SPECIFICATIONS

				TCM		TCM			
				FD50Z7	FD60Z7	FD70Z7	FD80Z7		
Characteristics	1	Manufacturer							
	2	Model							
	3	Load Capacity	kg (lb)	5000 (11000)	6000 (13000)	7000 (15500)	8000 (17500)		
	4	Load Center	mm (in)	600 (24)		600 (24)			
	5	Power Type		Diesel		Diesel			
	6	Control Type		Sit Down Rider Type		Sit Down Rider Type			
	7	Tire Type	Front/Rear	Pneumatic		Pneumatic			
	8	Wheels (X = driven)	Front/Rear	4 × / 2		4 × / 2			
Dimensions	9	Maximum Fork Height	mm (in)	3000 (118.0)		3000 (118.0)			
	10	Free Lift	mm (in)	205 (8.1)		215 (8.5)	205 (8.1)		
	13	Fork Size	L × W × T mm (in)	1220 × 150 × 60 (48.0 × 5.9 × 2.4)		1220 × 150 × 70 (48.0 × 5.9 × 2.8)	1220 × 170 × 75 (48.0 × 6.7 × 3.0)		
	14	Tilt Angle	Fwd/Bwd deg	6 / 12		6 / 12			
	15	Length to Fork Face	mm (in)	3435 (135.2)	3510 (138.2)	3575 (140.7)	3885 (153.0)		
	16	Overall Width	mm (in)	1995 (78.5)		1995 (78.5)	2165 (85.2)		
	17	Mast Height Fork Lowered	mm (in)	2500 (98.4)		2625 (103.3)	2700 (106.3)		
	18	Overall Height Fork Raised	mm (in)	4420 (174.0)		4420 (174.0)			
	19	Overhead Guard Height	mm (in)	2450 (96.5)		2450 (96.5)	2560 (100.8)		
	21	Turning Radius (Outside)	mm (in)	3250 (128.0)	3300 (130.0)	3360 (132.3)	3700 (145.7)		
	22	Load Distance (Centerline of front axle to front face of forks)	mm (in)	590 (23.2)		600 (23.7)	705 (27.8)		
23	Basic Right Angle Stacking Aisle Width (Add load length and clearance)	mm (in)	3840 (151.2)	3890 (153.1)	3960 (155.9)	4405 (173.4)			
Performance	24	Travel Max. (Fwd/Rvs)	With Load	km/h (mph)	25 (15.5)		25 (15.5)		
			Without Load	km/h (mph)	28 (17.5)		28 (17.5)	29 (18.1)	
	25	Lifting	With Load	mm/s (fpm)	430 (84.6)	350 (68.9)	380 (74.8)	380 (74.8)	
			Without Load	mm/s (fpm)	500 (98.4)	380 (74.8)	410 (80.7)	410 (80.7)	
	26	Lowering	With Load	mm/s (fpm)	440 (86.6)		440 (86.6)		
			Without Load	mm/s (fpm)	320 (63.0)		320 (63.0)		
28	Max. Drawbar Pull	Power shift T/M with/without load	kg (lb)	5450 (12010) / 2300 (5070)	5450 (12010) / 2250 (4960)	5350 (11790) / 2250 (4960)	5850 (12890) / 2800 (6150)		
29	Gradeability (1.6km/h or 1mph)	Power shift T/M with/without load	% (tan θ)	34 / 23	30 / 21	26 / 19	26 / 21		
30	Max. Gradeability**	Power shift T/M with/without load	% (tan θ)	44 / 23	40 / 21	34 / 19	32 / 21		
Weight	32	Total Weight	kg (lb)	7980 (17590)	8640 (19040)	9350 (20600)	10960 (24160)		
	33	Weight Distribution	With load	Front	kg (lb)	11660 (25710)	13050 (28470)	14570 (32280)	17000 (37330)
			Rear	kg (lb)	1320 (2880)	1590 (3570)	1780 (3820)	1960 (4330)	
	34	Without load	Front	kg (lb)	4010 (8840)	3880 (8550)	3860 (8500)	4840 (10670)	
Rear			kg (lb)	3970 (8750)	4760 (10490)	5490 (12100)	6120 (13490)		
Brakes and Tires	35	Tire	Number	Front/Rear	4 / 2		4 / 2		
	36	Size	Front		4—8.25 × 15—14 PR(J)		4—8.25 × 15—14 PR(J)	4—9.00 × 20—12 PR(J)	
			Rear		2—8.25 × 15—14 PR(J)		2—8.25 × 15—14 PR(J)	2—9.00 × 20—12 PR(J)	
	38	Wheelbase	mm (in)	2250 (88.6)		2250 (88.6)	2500 (98.4)		
	39	Tread	Front	mm (in)	1470 (57.9)		1470 (57.9)	1600 (63.0)	
Rear			mm (in)	1700 (66.9)		1700 (66.9)			
40	Underclearance	at lowest point	mm (in)	190 (7.5)		190 (7.5)	245 (9.7)		
41	Center of Wheelbase	mm (in)	225 (8.9)		225 (8.9)	315 (12.4)			
42	Brake	Service		Hydraulic, internal expansion duo-servo front wheel braking with vacuum booster		Hydraulic, internal expansion duo-servo front wheel braking with vacuum booster	Disc brake, front wheel braking		
		Parking		Mechanical, internal expansion transmission shaft braking		Mechanical internal expansion, transmission shaft braking			
45	Battery	Voltage/Capacity	V/AH	2 × 12 / 100		2 × 12 / 100			
Engine and Transmission	49	Make-Model		ISUZU 6BB1		ISUZU 6BB1	ISUZU 6BD1		
			Rated Horsepower/r.p.m.	JIS PS (SAE HP)	92 / 2000 (93 / 2000)	92 / 2000 (93 / 2000)	105 / 2000 (107 / 2000)		
	51	Rated Torque/r.p.m.		JIS kg-m (SAE ft-lb)	35.5 / 1600 (261 / 1600)	35.5 / 1600 (261 / 1600)	40.5 / 1600 (297 / 1600)		
			Number of cylinder		6		6		
	52	Displacement	lit (cu-in)	5.393 (329.1)		5.393 (329.1)	5.785 (353.0)		
55	Fuel Tank Capacity	lit (US gal)	120 (31.7)		120 (31.7)				
55	Transmission	Number of Speed Fwd/Rvs—Type		2-2 Power shift T/M		2-2 Power shift T/M			
57	Operating Pressure	For Attachment	kg/cm ² (psi)	190 (2700)		190 (2700)			

**Computed values (Travel speed 0km/h)

LOAD CHART



STANDARD EQUIPMENTS

- Wide View Mast ● Cyclopak air cleaner with dust indicator ● Load check valve
- Glow plug controller ● Drawbar-pin ● Starter switch ● Lifting hooks ● Load backrest
- Long life tires ● Overhead Guard ● Power brake ● Power steering
- Powershift 2-speed T/M ● Column shift direction change ● Radiator reserve tank
- Retaining Rollers ● Full wide carriage ● Converter oil cooler ● Head & turn signal lights
- Charging light ● Hour meter ● Engine oil pressure warning light
- Water temperature gauge ● Fuel gauge ● Speedometer ● Back-up light ● Horn
- Key switch engine stop ● Neutral safety switch ● Documents clip ● Rear view mirrors
- Disc brake system (FD80) ● Tool set

OPTIONAL EQUIPMENTS & ACCESSORIES

- Back-up buzzer ● 120AH, 135AH batteries ● Central greasing ● Cold weather spec.
- Sound proof spec. ● Catalytic muffler ● Fire extinguisher ● Steel Cabin ● Heater
- Port relief valves ● Rear working light ● Right hand direction change ● Solid tires
- Spark arrest muffler ● Smoke reduction muffler ● Overhead exhaust ● Suspension seat
- Hydrostatic steering ● Tilt adjustable handle ● Water separator ● Tilt cylinder boots
- Strober light ● Steel net on head guard ● Dry charged battery ● And others on request.

ATTACHMENTS

- Side shift ● Fork positioner ● Hinged Forks ● Ram ● Fork extension sleeves
- Long forks ● Rotating forks (FD50-60-70) ● etc.

NOTES

- Overhead guard meets ANSI B56.1 and ISO-6055
- Meets following major standards
 - JIS D6001 Industrial Lift Trucks
 - ISO-1074 Counter Balanced Lift Trucks, Stability & Safety Test
 - ANSI B56.1-Parts II Low & High Lift Truck, required by OSHA sec. 1910.178(a)
 - FEM Safety Code of Lift Trucks
 - DIN Safety Code of Lift Trucks¹⁾
- Classified by UL Type D²⁾
 - 1) F.R. Germany export trucks
 - 2) North America export trucks
- Gasoline engine is available as option (FD50-60-70)

<http://www.keiyou.net/>

FD50Z7, FD60Z7 Wide View Mast: Upright Model VM-578

Upright Model	Capacity at Load Center 600mm (24in)				Max. Fork Height		Overall Mast Height				Free Lift with Backrest		Tilting Angle Fwd-Bkd Degree	Service Weight with Backrest			
	FD50Z7		FD60Z7				Lowered		Raised with Backrest					FD50Z7		FD60Z7	
	kg	lbs	kg	lbs	mm	in	mm	in	mm	in	mm	in		kg	lbs	kg	lbs
VM250	5000	11000	6000	13000	2500	98.4	2250	88.6	3920	154.3	205	8.1	6-12	7900	17410	8560	18860
VM270	5000	11000	6000	13000	2700	106.3	2350	92.5	4120	162.2	205	8.1	6-12	7930	17480	8590	18930
VM300	5000	11000	6000	13000	3000	118.0	2500	98.4	4420	174.0	205	8.1	6-12	7980	17590	8640	19040
VM330	5000	11000	6000	13000	3300	130.0	2650	104.4	4720	185.8	205	8.1	6-12	8030	17700	8690	19150
VM350	5000	11000	6000	13000	3500	137.8	2750	108.3	4920	193.7	205	8.1	6-12	8060	17770	8720	19210
VM375	5000	11000	6000	13000	3750	147.6	2875	113.2	5170	203.5	205	8.1	6-12	8100	17860	8760	19310
VM400	5000	11000	6000	13000	4000	157.5	3050	120.1	5420	213.4	205	8.1	6-12	8270	18230	8930	19680
VM425	5000	11000	6000	13000	4250	167.3	3175	125.0	5670	223.2	205	8.1	6-12	8310	18320	8970	19770
VM450	5000	11000	6000	13000	4500	177.2	3300	130.0	5920	233.1	205	8.1	6-12	8350	18410	9010	19860
VM475	5000	11000	6000	13000	4750	187.0	3425	134.9	6170	242.9	205	8.1	6-6	8390	18500	9050	19950
VM500	5000	11000	6000	13000	5000	196.9	3550	139.8	6420	252.8	205	8.1	6-6	8430	18590	9090	20040
VM550	4750	10400	5700	12500	5500	216.5	3850	151.6	6920	272.4	205	8.1	3-6	8630	19030	9290	20480
VM600	4400	9700	5400	11900	6000	236.2	4100	161.4	7420	292.1	205	8.1	3-6	8710	19200	9370	20650

FD50Z7, FD60Z7 Wide View Full Free Two-Stage Mast: Upright Model VFM-578

Upright Model	Capacity at Load Center 600mm (24in)				Max. Fork Height		Overall Mast Height				Free Lift with Backrest		Tilting Angle Fwd-Bkd Degree	Service Weight with Backrest			
	FD50Z7		FD60Z7				Lowered		Raised with Backrest					FD50Z7		FD60Z7	
	kg	lbs	kg	lbs	mm	in	mm	in	mm	in	mm	in		kg	lbs	kg	lbs
VFM250	5000	11000	6000	13000	2500	98.4	2250	88.6	3920	154.3	875	34.4	6-12	8010	17650	8670	19110
VFM270	5000	11000	6000	13000	2700	106.3	2350	92.5	4120	162.2	975	38.4	6-12	8040	17720	8700	19180
VFM300	5000	11000	6000	13000	3000	118.0	2500	98.4	4420	174.0	1125	44.3	6-12	8090	17830	8750	19290
VFM330	5000	11000	6000	13000	3300	130.0	2650	104.4	4720	185.8	1275	50.2	6-12	8140	17940	8800	19400
VFM350	5000	11000	6000	13000	3500	137.8	2750	108.3	4920	193.7	1375	54.1	6-12	8170	18010	8830	19470
VFM375	5000	11000	6000	13000	3750	147.6	2875	113.2	5170	203.5	1500	59.1	6-12	8210	18100	8870	19560
VFM400	5000	11000	6000	13000	4000	157.5	3050	120.1	5420	213.4	1675	65.9	6-12	8370	18450	9030	19910
VFM425	5000	11000	6000	13000	4250	167.3	3175	125.0	5670	223.2	1800	70.9	6-12	8410	18540	9070	20000
VFM450	5000	11000	6000	13000	4500	177.2	3300	130.0	5920	233.1	1925	75.8	6-12	8450	18620	9110	20080
VFM475	5000	11000	6000	13000	4750	187.0	3425	134.9	6170	242.9	2050	80.7	6-6	8490	18710	9150	20170
VFM500	5000	11000	6000	13000	5000	196.9	3550	139.8	6420	252.8	2175	85.6	6-6	8530	18800	9190	20260
VFM550	4750	10400	5700	12500	5500	216.5	3850	151.6	6920	272.4	2475	97.4	3-6	8730	19240	9390	20700
VFM600	4400	9700	5400	11900	6000	236.2	4100	161.4	7420	292.1	2725	107.3	3-6	8810	19420	9470	20880

NOTE: VFM Mast
 Lifting speed : 320mm/s (63fpm) with load, 350mm/s (69fpm) without load. Without Backrest : Free lift + 420mm (+16.5in).
 Lowering speed : 310mm/s (61fpm) with load, 220mm/s (43fpm) without load. : Overall Mast Height (Raised) - 420mm (-16.5in), and -45kg (-100 lbs).

FD50Z7, FD60Z7 Wide View Full Free Triple-Stage Mast: Upright Model VFHM-578

Upright Model	Capacity at Load Center 600mm (24in)				Max. Fork Height		Overall Mast Height				Free Lift with Backrest		Tilting Angle Fwd-Bkd Degree	Service Weight with Backrest			
	FD50Z7		FD60Z7				Lowered		Raised with Backrest					FD50Z7		FD60Z7	
	kg	lbs	kg	lbs	mm	in	mm	in	mm	in	mm	in		kg	lbs	kg	lbs
VFHM360	4600	10150	5500	12150	3600	141.7	2375	93.5	5000	196.9	1000	39.4	6-10	8550	18850	9210	20300
VFHM400	4500	9900	5500	12150	4000	157.5	2500	98.4	5400	212.6	1125	44.3	6-10	8615	18990	9275	20440
VFHM435	4500	9900	5500	12150	4350	171.3	2625	103.3	5750	226.4	1250	49.2	6-10	8675	19130	9335	20580
VFHM480	4500	9900	5500	12150	4800	189.0	2775	109.3	6200	244.1	1400	55.1	6-10	8755	19300	9415	20750
VFHM500	4500	9900	5500	12150	5000	196.9	2875	113.2	6400	252.0	1500	59.1	6-10	8815	19430	9475	20880
VFHM540	4400	9700	5300	11670	5400	212.6	3000	118.0	6800	267.7	1625	64.0	3-6	8885	19590	9545	21040
VFHM600	4200	9250	5000	11050	6000	236.2	3300	130.0	7400	291.3	1925	75.8	3-6	9180	20240	9840	21690
VFHM650	3600	7950	4300	9500	6500	255.9	3525	138.8	7900	311.0	2150	84.6	3-6	9270	20440	9930	21890
VFHM700	3000	6600	3500	7700	7000	275.6	3675	144.7	8400	330.7	2300	90.6	3-6	9355	20630	10015	22080
VFHM750	2500	5500	2800	6150	7500	295.3	3900	153.5	8900	350.4	2525	99.4	3-6	9545	21040	10205	22490
VFHM800	2000	4400	2200	4850	8000	315.0	4100	161.4	9400	370.1	2725	107.3	3-6	9630	21230	10290	22680

NOTE: VFHM Mast
 Lifting speed : 320mm/s (63fpm) with load, 350mm/s (69fpm) without load. Service weight : Without backrest - 55kg (-120 lbs).
 Lowering speed : 310mm/s (61fpm) with load, 220mm/s (43fpm) without load. Without Backrest : Free lift + 420mm (+16.5in).
 Overall length : FD50Z7 4700mm (185.0in), FD60Z7 4775mm (188.0in). : Overall Mast Height (Raised) FD50/60 - 420mm (-16.5in), and -45kg (-100 lbs).

FD70Z7, FD80Z7 Wide View Mast: Upright Model VM-579 (FD70Z7), VM-580 (FD80Z7)

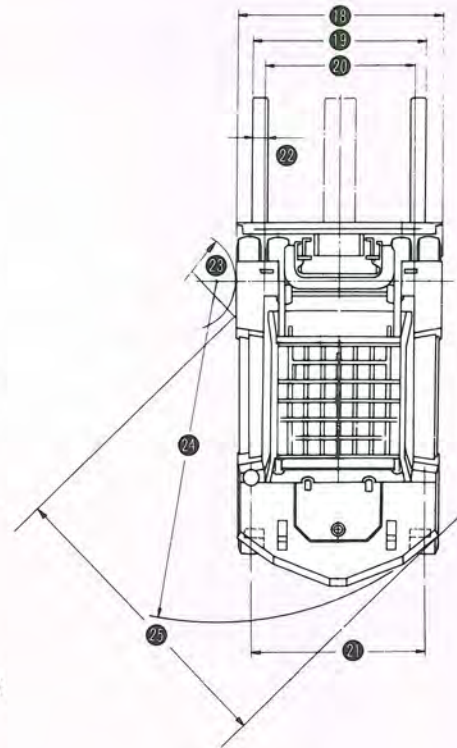
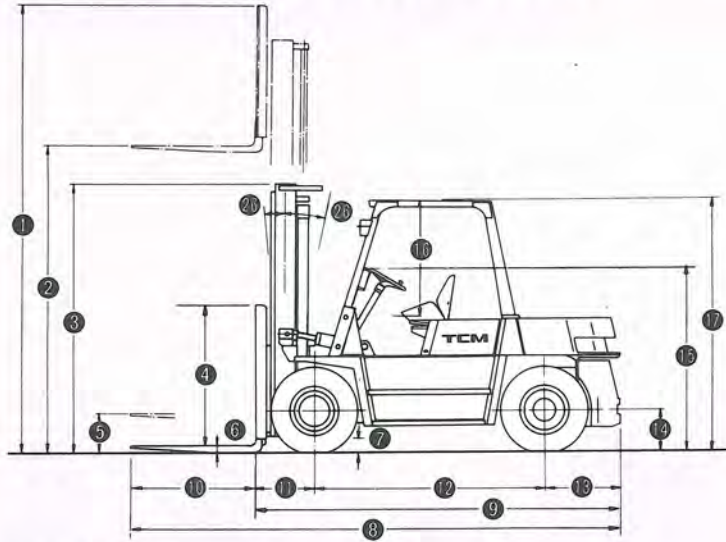
Upright Model	Capacity at Load Center 600mm (24in)				Max. Fork Height		Overall Mast Height				Free Lift with Backrest				Tilting Angle Fwd-Bkd Degree	Service Weight with Backrest					
	FD70Z7		FD80Z7				Lowered		Raised with Backrest		FD70		FD80								
	kg	lbs	kg	lbs	mm	in	mm	in	mm	in	mm	in	mm	in		mm	in	kg	lbs	kg	lbs
	VM250	7000	15500	8000	17500	2500	98.4	2375	93.5	2450	96.5	3920	154.3	215		8.5	205	8.1	6-12	9270	20420
VM270	7000	15500	8000	17500	2700	106.3	2475	97.5	2550	100.4	4120	162.2	215	8.5	205	8.1	6-12	9300	20490	10910	24050
VM300	7000	15500	8000	17500	3000	118.0	2625	103.4	2700	106.3	4420	174.0	215	8.5	205	8.1	6-12	9350	20600	10960	24160
VM330	7000	15500	8000	17500	3300	130.0	2775	109.3	2850	112.2	4720	185.8	215	8.5	205	8.1	6-12	9400	20710	11020	24290
VM350	7000	15500	8000	17500	3500	137.8	2875	113.2	2950	116.1	4920	193.7	215	8.5	205	8.1	6-12	9440	20800	11050	24380
VM375	7000	15500	8000	17500	3750	147.6	3000	118.0	3075	121.1	5170	203.5	215	8.5	205	8.1	6-12	9480	20890	11100	24470
VM400	7000	15500	8000	17500	4000	157.5	3175	125.0	3250	128.0	5420	213.4	215	8.5	205	8.1	6-12	9650	21260	11300	24910
VM425	7000	15500	8000	17500	4250	167.3	3300	130.0	3375	132.9	5670	223.2	215	8.5	205	8.1	6-12	9690	21350	11350	25020
VM450	7000	15500	8000	17500	4500	177.2	3425	134.9	3500	137.8	5920	233.1	215	8.5	205	8.1	6-12	9740	21460	11390	25110
VM475	7000	15500	7750	17000	4750	187.0	3550	139.8	3625	142.7	6170	242.9	215	8.5	205	8.1	6-6	9820	21550	11440	25220
VM500	7000	15500	7750	17000	5000	196.9	3675	144.7	3750	147.6	6420	252.8	215	8.5	205	8.1	6-6	9870	21640	11490	25330
VM550	6600	14500	7400	16300	5500	216.5	3975	156.5	4050	159.5	6920	272.4	215	8.5	205	8.1	3-6	10020	22080	11720	25840
VM600	6400	14100	7000	15400	6000	236.2	4225	166.4	4300	169.3	7420	292.1	215	8.5	205	8.1	3-6	10110	22280	11820	26060

FD70Z7, FD80Z7 Wide View Full Free Two-Stage Mast: Upright Model VFM-579 (FD70Z7), VFM-580 (FD80Z7)

Upright Model	Capacity at Load Center 600mm (24in)				Max. Fork Height		Overall Mast Height				Free Lift with Backrest				Tilting Angle Fwd-Bkd Degree	Service Weight with Backrest							
	FD70Z7		FD80Z7				Lowered		Raised with Backrest		FD70		FD80										
	kg	lbs	kg	lbs	mm	in	mm	in	mm	in	mm	in	mm	in		mm	in	kg	lbs	kg	lbs		
	VFM250	7000	15500	8000	17500	2500	98.4	2375	93.5	2450	96.5	3920	154.3	3925		154.6	1025	40.4	1085	42.7	6-12	9330	20560
VFM270	7000	15500	8000	17500	2700	106.3	2475	97.5	2550	100.4	4120	162.2	4125	162.4	1125	44.3	1185	46.6	6-12	9370	20650	10900	24040
VFM300	7000	15500	8000	17500	3000	118.0	2625	103.4	2700	106.3	4												

STANDARD DIMENSIONS

FD50Z7 · 60Z7 · 70Z7 · 80Z7



UNDER CLEARANCE

- Upright : ● 195 mm (7.7 in) ○ 245 mm (9.7 in)
- Frame center : ● 225 mm (8.9 in) ○ 315 mm (12.4 in)
- Drive/Steer Axle : ● 190 mm (7.5 in)/245 mm (9.7 in) ○ 265 mm (10.4 in)/325 mm (12.8 in)
- Counter weight : ● 225 mm (8.9 in) ○ 310 mm (12.2 in)

NOTES

- Counter weight height : ● 1300 mm (51.2 in) ○ 1415 mm (55.7 in)
- Load backrest width : ● 1995 mm (78.5 in) ○ 2165 mm (85.2 in)
- Carriage : ● Width 1845 mm (72.6 in), ITA mounting Type IV ○ Width 2015 mm (79.3 in), ITA mounting Type IV
- FD50/60/70 ○ FD80

Models	FD50Z7		FD60Z7		FD70Z7		FD80Z7	
	mm	in	mm	in	mm	in	mm	in
① Overall height, Fork raised (with backrest)	4420	174.0	4420	174.0	4420	174.0	4420	174.0
② Max. fork height	3000	118.0	3000	118.0	3000	118.0	3000	118.0
③ Overall height, Fork lowered (upright)	2500	98.4	2500	98.4	2625	103.3	2700	106.3
④ Load backrest height	1370	53.9	1370	53.9	1365	53.7	1360	53.5
⑤ Free lift	205	8.1	205	8.1	215	8.5	205	8.1
⑥ Fork thickness	60	2.4	60	2.4	70	2.8	75	3.0
⑦ Min. underclearance	190	7.5	190	7.5	190	7.5	245	9.5
⑧ Overall length (with forks)	4660	183.5	4735	186.4	4810	189.4	5125	201.8
⑨ Overall length (without forks)	3435	135.2	3510	138.2	3575	140.7	3885	153.0
⑩ Fork length	1220	48.0	1220	48.0	1220	48.0	1220	48.0
⑪ Fork overhang	590	23.2	590	23.2	600	23.7	705	27.8
⑫ Wheelbase	2250	88.6	2250	88.6	2250	88.6	2500	98.4
⑬ Rear overhang	600	23.7	675	26.6	740	29.1	700	27.6
⑭ Coupler height	390	15.4	390	15.4	390	15.4	480	18.9
⑮ Machine height (without overhead guard and mast)	1775	69.9	1775	69.9	1775	69.9	1885	74.3
⑯ Overhead guard clearance (from face of seat)	1055	41.5	1055	41.5	1055	41.5	1055	41.5
⑰ Overall height (overhead guard)	2450	96.5	2450	96.5	2450	96.5	2560	100.8
⑱ Overall width	1995	78.5	1995	78.5	1995	78.5	2165	85.2
⑲ Lateral fork adjustment (outside of forks)	300~1835	11.8~72.2	300~1835	11.8~72.2	300~1835	11.8~72.2	340~2000	13.4~78.7
⑳ Tread (front)	1470	57.9	1470	57.9	1470	57.9	1600	63.0
㉑ Tread (rear)	1700	66.9	1700	66.9	1700	66.9	1700	66.9
㉒ Fork width	150	5.9	150	5.9	150	5.9	170	6.7
㉓ Inside turning radius	200	7.9	200	7.9	200	7.9	200	7.9
㉔ Outside turning radius	3250	128.0	3300	130.0	3360	132.3	3700	145.7
㉕ Min. intersecting aisle	2960	116.6	3000	118.0	3040	119.7	3310	130.3
㉖ Tilting angles (forward-backward)	6°—12°		6°—12°		6°—12°		6°—12°	